

**10/100 BASE-TX LAN MAGNETICS FOR AUTO MDI/MDIX APPLICATION****P/N:20PT1024 DATA SHEET**

Page: 1/1

**Feature**

- | Compliant with IEEE 802.3u and ANSI X3.263 standards including 350 $\Omega$  H OCL with 8mA Bias.
- | Symmetrical TX and RX channels for Auto MDI/MDIX capability.
- | Approved for use with the Broadcom BCM 5226 and Level One LXT9784.
- | Operating temperature range : 0 $^{\circ}$  C to +70 $^{\circ}$  C
- | Storage temperature range: -25 $^{\circ}$  C to +125 $^{\circ}$  C.

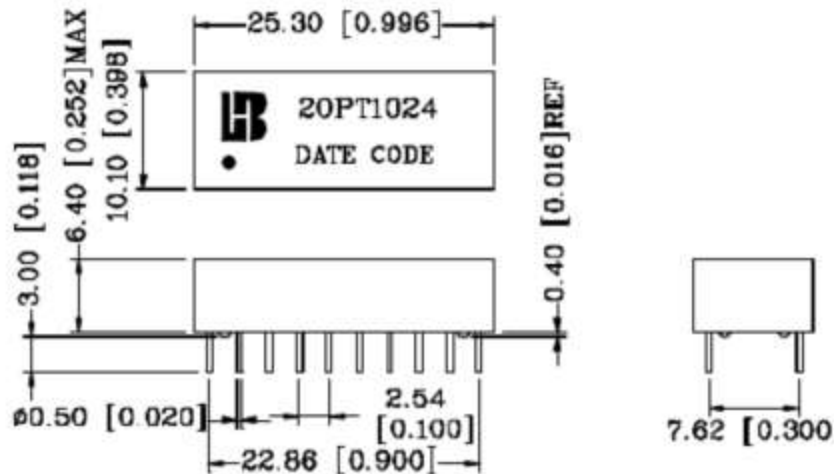
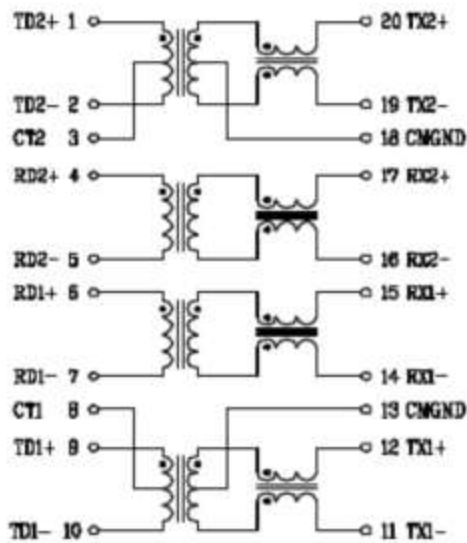
**Electrical Specifications @ 25 $^{\circ}$  C**

Part Number	Turns Ratio ( $\pm 5\%$ )		OCL ( $\Omega$ H Min) @100KHz/0.1Vrms 8mA DC/Bias	Cw/w (pF Max)	Insulation Resistance ( M $\Omega$ ) @ 50Vdc	DCR (TX/RX) ( $\Omega$ Max)	HI POT (Vrms)
	TX	RX					
20PT1024	1CT:1CT	1:1	350	50	10,000	0.9	1500

**Continue**

Part Number	Insertion Loss (dB Max)		Return Loss (dB Min)				Cross talk (dB Min)		DCMR (dB Min)		
	0.3 100MHz	0.3 30MHz	30 60MHz	60 80MHz	0.3 60MHz	60 100MHz	0.3 30MHz	30 60MHz	60 100MHz		
20PT1024	1.1	18	14	12	40	35	38	33	30		

**Schematic****Mechanical**



Units: mm[Inches] Tolerance: xx.x0±0.25[0.010]  
 0.xx±0.05[0.002]